

# Tiandy



TC-A32F2 Spec: 2/E/6mm

# 2MP Starlight Face Capture Turret Camera (6mm)



## KEY FEATURES

- 1/2.8 inch CMOS sensor
- Up to 1920X1080@30fps
- Min. illumination Color: 0.005Lux@F1.6
- S+265/H.265/H.264/M-JPEG
- Face capture/intelligent monitoring mode
- White light distance 3m~5m
- IP66, PoE



**Tiandy Technologies Co.,Ltd.**

Email: [sales@tiandy.com](mailto:sales@tiandy.com)

Tel: +86-22-58596065

Website: [en.tiandy.com](http://en.tiandy.com)

Fax: +86-22-58596048



## SPECIFICATIONS

Camera	
Image Sensor	1/2.8" CMOS
Signal System	PAL/NTSC
Min. Illumination	Color: 0.005Lux@ (F1.6, ACG ON)
Shutter Time	1s to 1/100,000s
Day & Night	Dual IR Cut Filter with Auto Switch
Wide Dynamic Range	120dB
Lens	
Lens Type	Fixed
Focus	6mm
Lens Mount	M12
Aperture	F1.6, Fixed
FOV	Horizontal field of view: 53°
Illuminator	
IR LEDs	N/A
IR Range	N/A
Wavelength	N/A
White LEDs	1
Compression Standard	
Video Compression	S+265/H.265/H.264/M-JPEG
Video Bit Rate	32 Kbps to 16 Mbps
Audio Compression	G.711A/G.711U/ADPCM_D/AAC_LC
Audio Bit Rate	8K~48Kbps
Image	
Max. Resolution	1920×1080
Main Stream	PAL: 25fps (1920×1080, 1280×960, 1280×720, 704×576, 640×480) NTSC: 30fps (1920×1080, 1280×960, 1280×720, 704×480, 640×480)
Sub Stream	PAL: 25fps (704×576, 704×288, 640×360, 352×288) NTSC: 30fps (704×480, 704×240, 640×360, 352×240)
Third Stream	4CIF
Image Setting	Saturation, brightness, contrast, sharpness, adjustable by client software or web browser
Image Enhancement	BLC/3D DNR/HLC/Corridor Format
ROI	Support 7 fixed region of coding
OSD	16×16, 24×24,32×32, 48×48, 64×64, adaptable size, Letters Such as Week, Date, Time, Total 5 Regions
Picture Overlay	Yes
Privace Mask	Yes
Smart Defog	Yes
Feature	
Alarm Trigger	Event Input, Event Output, Motion Detection, Mask Alarm, Disk Full, Disk R/W Error, IP Address Conflict, MAC Address Conflict, FTP Server Exception
Video Analytics	Tripwire, Double Tripwire, Perimeter, Object Abandon, Object Lost, Loitering, Running, Parking, On Duty Detection, Video Abnormal, Audio Abnormal
Early Warning(EW)	N/A
Intelligent Coding	N/A
Intelligent Image	N/A
Intelligent Alarm	N/A
Face Detection and Analytics	
Operating Mode	Face capture, intelligent monitoring optional, default face capture
Face Detection Performance	Detects up to 32 faces at the same scene
Face Exposure Brightness	Default 35, 1-100 brightness optional
Min. Face Pixel	Default 80, 19-1920 optional



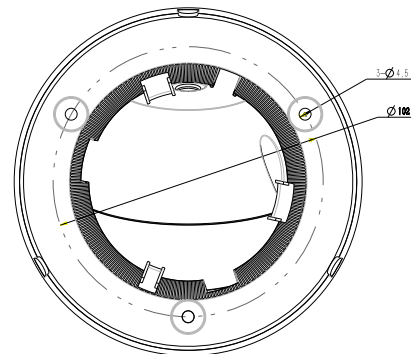
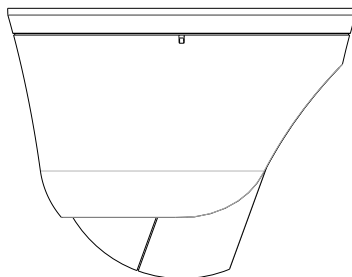
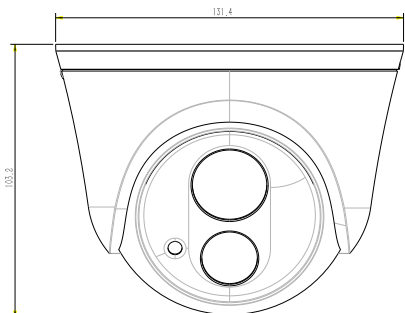
<b>Face Recognition</b>	N/A
<b>Face Library</b>	N/A
<b>Face Pictures</b>	N/A
<b>Face Library Management</b>	N/A
<b>Face Recognition Alert</b>	N/A
<b>Precautionary Alert</b>	N/A
<b>Network</b>	
<b>ANR</b>	N/A
<b>Protocols</b>	TCP/IP, ICMP, HTTP, HTTPS, DHCP, DNS, DDNS, MULTICAST, UPnP, FTP, IPV4, NTP, RTSP, SMTP, IGMP, QoS, PPPoE
<b>System Compatibility</b>	ONVIF (PROFILE S), SDK, CGI, P2P
<b>Remote Connection</b>	≤7
<b>Client</b>	Easy7, EasyLive
<b>Web Version</b>	Web6
<b>Interface</b>	
<b>Communication Interface</b>	1 RJ45 10M/100M self adaptive Ethernet port
<b>Audio</b>	1/1, Mic in
<b>Alarm</b>	2/1
<b>Reset Button</b>	N/A
<b>On-board storage</b>	N/A
<b>General</b>	
<b>Firmware Version</b>	NVSS_V20.0.1.20190104_SP3
<b>Web Client Language</b>	English, Simple Chinese
<b>Operating Conditions</b>	-35°C ~ 65°C, 0 ~ 95% RH
<b>Power Supply</b>	DC12V±20%/PoE
<b>Power Consumption</b>	MAX: 5.5W(12V) MAX: 6.5W(POE)
<b>Protection</b>	IP66
<b>Heater</b>	N/A
<b>Dimensions</b>	Φ132×103 mm (Φ5.2*4.06 inch)
<b>Weight</b>	0.65kg (1.43lb)

\* Listed resolutions are only selectable options. It does not mean that all streams can work at their maximum resolution at the same time.

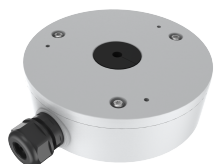
## AVAILABLE MODEL

### TC-A32F2 SPEC: 2/E/6MM

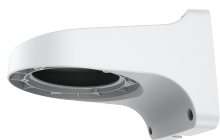
## DIMENSIONS (Unit: mm)



## ACCESSORIES



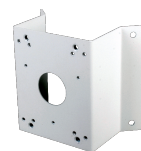
TC-P548BM Spec: V1  
Junction Box



A28  
Wall Mount



A23  
Mount Adapter



A35  
Corner Mount



A21  
Corner/Pole Mount



A20  
Pendant Mount



A36  
Pole Mount



811  
Junction Box

DISTRIBUTED BY



**Tiandy Technologies Co.,Ltd.**

Email: [sales@tiandy.com](mailto:sales@tiandy.com)  
Website: [en.tiandy.com](http://en.tiandy.com)

Tel: +86-22-58596065  
Fax: +86-22-58596048