

Tiandy



TC-C32LG Spec: I8W/E/A/2.8-12mm

2MP Super Starlight Motorized EW Bullet Camera (2.8-12mm)



Ultra Series

KEY FEATURES

- Up to 1920x1080@30fps
- S+265/H.265/H.264/M-JPEG
- Min. illumination Color: 0.0004Lux@F1.0
- Early Warning
- Support Human/Vehicle Classification
- Built-in Mic&Speaker
- Smart IR, IR Range: 80m
- Operating Conditions -35°~65°, 0~95% RHG
- POE, IP67



Tiandy Technologies Co.,Ltd.

Email: sales@tiandy.com

Tel: +86-22-58596065

Website: en.tiandy.com

Fax: +86-22-58596048



SPECIFICATIONS

Camera	
Image Sensor	1/2.8" CMOS
Signal System	PAL/NTSC
Min. Illumination	Color: 0.0004Lux@ (F1.0, ACG ON), B/W: 0Lux with IR
Shutter Time	1s to 1/100,000s
Day & Night	Dual IR Cut Filter with Auto Switch
Wide Dynamic Range	120dB
Lens	
Lens Type	Motorized
Focus	2.8~12mm
Lens Mount	Ø14
Aperture	F1.3~F2.2, DC Drive
FOV	Horizontal field of view: 95.7° ~ 35.5°
Illuminator	
IR LEDs	4
IR Range	Up to 80m
Wavelength	850nm
White LEDs	1
Compression Standard	
Video Compression	S+265/H.265/H.264/M-JPEG
Video Bit Rate	32 Kbps to 16 Mbps
Audio Compression	G.711A/G.711U/ADPCM/AAC
Audio Bit Rate	8K~48Kbps
Image	
Max. Resolution	1920×1080
Main Stream	PAL: 25fps (1920×1080, 1280×960, 1280×720) NTSC: 30fps (1920×1080, 1280×960, 1280×720)
Sub Stream	PAL: 25fps (704×576, 704×288, 640×360, 352×288) NTSC: 30fps (704×480, 704×240, 640×360, 352×240)
Third Stream	4CIF
Image Setting	Saturation, brightness, contrast, sharpness, adjustable by client software or web browser
Image Enhancement	BLC/3D DNR/HLC/Corridor Format
ROI	Support 7 fixed region of coding
OSD	16×16, 24×24, 32×32, 48×48, 64×64, 96×96, adaptable size, Letters Such as Week, Date, Time, Total 5 Regions
Picture Overlay	Yes
Privacy Mask	Yes
Smart Defog	Yes
Feature	
Alarm Trigger	Event Input, Event Output, Motion Detection, Mask Alarm, Disk Full, Disk R/W Error, IP Address Conflict, MAC Address Conflict, FTP Server Exception
Video Analytics	Tripwire, Double Tripwire, Perimeter, Object Abandon, Object Lost, Loitering, Running, Parking, Video Abnormal, Audio Abnormal, Face Detection, Demographics
Early Warning(EW)	Yes
Smart Codec	N/A
Smart Image	N/A
Smart Alarm	N/A



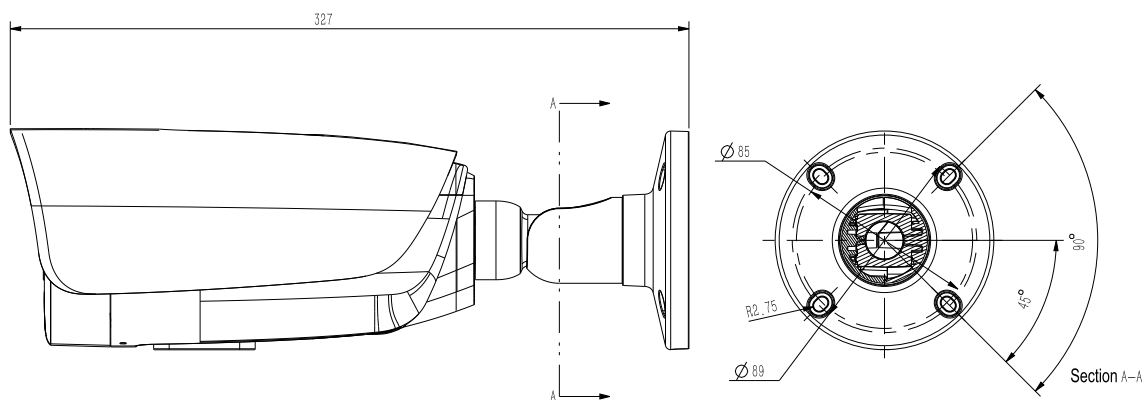
Network	
ANR	Yes, auto store video in SD card when NVR disconnected, and upload video to NVR when resumed connection (Only Support Tiandy ANR NVR)
Protocols	TCP/IP, ICMP, HTTP, HTTPS, DHCP, DNS, DDNS, MULTICAST, UPnP, FTP, IPV4, NTP, RTSP, SMTP, IGMP, 802.1X, QoS, PPPoE
System Compatibility	ONVIF (PROFILE S), SDK, CGI, P2P
Remote Connection	≤7
Client	Easy7, EasyLive
Web Version	Web6
Interface	
Communication Interface	1 RJ45 10M/100M self adaptive Ethernet port
Audio	1/1, Mic in
Alarm	2/1
Reset Button	Yes
On-board storage	Built-in MicroSD card slot, up to 128 GB
General	
Firmware Version	NVSS_V14.0.6.20180928
Web Client Language	12 languages English, Russian, Spanish, Korean, Italian, Turkish, Simple Chinese, Traditional Chinese, Thai, French, Polish, Dutch
Operating Conditions	-35°C ~ 65°C, 0 ~ 95% RH
Power Supply	DC12V±20%/PoE
Power Consumption	MAX: 10.09W(12V) MAX: 12.35W(POE)
Protection	IP67
Heater	N/A
Dimensions	330×114×107 mm (12.99*4.49*4.21 inch)
Weight	1.5kg (3.31lb)

* Listed resolutions are only selectable options. It does not mean that all streams can work at their maximum resolution at the same time.

AVAILABLE MODEL

TC-C32LG SPEC: I8W/E/A/2.8-12MM

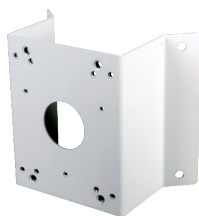
DIMENSIONS (Unit: mm)



ACCESSORIES



A36
Pole Mount



A35
Corner Mount



TC-P54AM Spec:V4
Junction Box



A22
Junction Box

DISTRIBUTED BY



Tiandy Technologies Co.,Ltd.

Email: sales@tiandy.com
Website: en.tiandy.com

Tel: +86-22-58596065
Fax: +86-22-58596048