

Tiandy



TC-C34KS Spec: I3/E/Y/2.8mm

4MP Fixed Starlight IR Dome Camera



Lite Series

KEY FEATURES

- Metal+Plastic Housing
- Up to 2592x1520@25fps
- S+265/H.265/H.264
- Min. illumination Color: 0.002Lux@F1.6
- 120dB WDR
- Smart IR, IR Range: 30m
- Support tripwire and perimeter
- Built-in Mic, SD Card Slot, Reset Button
- Operating Conditions -35°~65°, 0~95% RH
- POE, IP67, IK10



Tiandy Technologies Co.,Ltd.

Email: sales@tiandy.com

Tel: +86-22-58596178

Website: en.tiandy.com

Fax: +86-22-58596048



SPECIFICATIONS

Camera	
Image Sensor	1/2.8" CMOS
Signal System	PAL/NTSC
Min. Illumination	Color: 0.002Lux@ (F1.6, ACG ON), B/W: 0Lux with IR
Shutter Time	1s to 1/100,000s
Day & Night	Dual IR Cut Filter with Auto Switch
Wide Dynamic Range	120dB
Angle Adjustment	pan 0~330°, tilt 0~75°, roate 0~350°
Lens	
Lens Type	Fixed
Focus	2.8mm
Lens Mount	M12
Aperture	F1.6, Fixed
FOV	Horizontal field of view: 93.8°
Illuminator	
IR LEDs	8
IR Range	Up to 30m
Wavelength	850nm
White LEDs/Warmlights	N/A
Compression Standard	
Video Compression	S+265/H.265/H.264
Video Bit Rate	32Kbps~6Mbps
Audio Compression	G.711/G.711U/ADPCM
Audio Bit Rate	8K~48Kbps
Image	
Max. Resolution	2592x1520
Main Stream	PAL: 25fps (2592x1520, 2560x1440, 2304x1296, 1920x1080, 1280x720) NTSC: 25fps (2592x1520, 2560x1440), 30fps (2304x1296, 1920x1080, 1280x720)
Sub Stream	PAL: 25fps (704x576, 704x288, 640x360, 352x288) NTSC: 30fps (704x480, 704x240, 640x360, 352x240)
Third Stream	N/A
Image Setting	Saturation, brightness, contrast, sharpness, adjustable by client software or web browser
Image Enhancement	BLC/3D DNR/HLC
ROI	N/A
OSD	16x16, 32x32, 48x48, 64x64, adaptable size, Letters Such as Week, Date, Time, Total 3 Regions
Picture Overlay	N/A
Privacy Mask	Yes, 4 regions
Smart Defog	Yes
Feature	
Alarm Trigger	Motion Detection, Mask Alarm, IP Address Conflict
Video Analytics	Tripwire, Perimeter
Early Warning(EW)	N/A

Tiandy

Network	
ANR	Yes, auto store video in SD card when NVR disconnected, and upload video to NVR when resumed connection (Only Support Tiandy ANR NVR)
Protocols	TCP/IP, HTTP, FTP, DHCP, DNS, DDNS, MULTICAST, IPV4, NTP, UDP, Telnet
System Compatibility	ONVIF (PROFILE S/T/G), SDK, CGI (IE), P2P(Mutually exclusive with Profile G)
Remote Connection	≤7
Client	Easy7, EasyLive
Web Version	Web5
Interface	
Communication Interface	1 RJ45 10M/ 100M self adaptive Ethernet port
Audio I/O	Mic in
Alarm I/O	N/A
Reset Button	Yes
On-board storage	Built-in MicroSD card slot, up to 512 GB
General	
Firmware Version	-
Web Client Language	15 languages English, Russian, Spanish, Korean, Italian, Turkish, Simple Chinese, Traditional Chinese, Thai, French, Polish, Dutch, Hebraism, Arabic, Vietnamese
Operating Conditions	-35°C ~ 65°C, 0 ~ 95% RH
Power Supply	DC 12V±25%, PoE (802.3af)
Power Consumption	MAX: 5W (12V) MAX: 6W (PoE)
Protection	IP67, IK10, Lightning protection, surge protection and voltage transient protection meets EN 55035:2017
Heater	N/A
Dimensions	Φ120×90mm (Φ4.72×3.54inch)
Weight	0.4Kg (0.88lb)

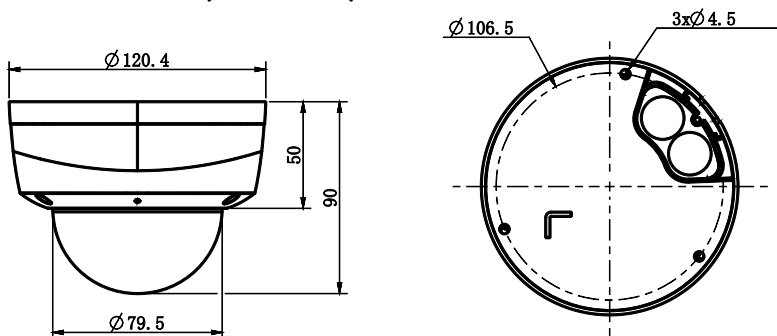
* Listed resolutions are only selectable options. It does not mean that all streams can work at their maximum resolution at the same time.

AVAILABLE MODEL

TC-C34KS SPEC: I3/E/Y/2.8MM

Tiandy

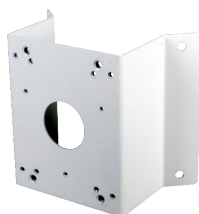
DIMENSIONS (Unit: mm)



ACCESSORIES



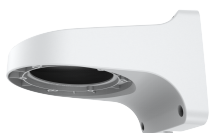
A36
Pole Mount



A35
Corner Mount



811
Junction Box



A29
Wall Mount



A25
Corner/Pole Mount



A20
Pendant Mount

DISTRIBUTED BY



Tiandy Technologies Co.,Ltd.

Email: sales@tiandy.com

Tel: +86-22-58596178

Website: en.tiandy.com

Fax: +86-22-58596048