

Tiandy



TC-H389M Spec: 44X/LW/P/A

8MP 44x Super Starlight Laser AEW Panaromic PTZ Camera



Ultra Series

KEY FEATURES

PTZ Camera

- Auto-Tracking Early Warning (AEW)
- Up to 1920×1080@60fps
- Min. illumination Color: 0.0008Lux@F1.5
- Optical zoom: 44×, digital zoom 16×

Panaromic Camera

- Four 1/1.8" CMOS
- Up to 4096×1800@30fps
- Horizontal: 180°, Vertical: 74°
- Built-in Speaker
- Support Human/Vehicle Classification
- S+265/H.265/H.264/M-JPEG
- IP66, POE



Tiandy Technologies Co.,Ltd.

Email: sales@tiandy.com
Website: en.tiandy.com

Tel: +86-22-58596065
Fax: +86-22-58596048



SPECIFICATIONS

PTZ Camera :	
Image Sensor	1/1.8" CMOS
Signal System	PAL/NTSC
Min. Illumination	Color: 0.0008Lux@ (F1.5, ACG ON)
Shutter Time	1s to 1/100,000s
Day & Night	Dual IR Cut Filter
Wide Dynamic Range	140dB
Focal Length	6mm ~ 264mm, 44× optical lens
Digital Zoom	16×
Zoom Speed	<5s
Angle of View	Horizontal filed of view: 61.2° (w) ~ 2° (t)
Aperture Range	F1.5~F4.8
Pan Range	360°
Pan Speed	Pan Manual Speed: 0.1°~160°/s, Pan Preset Speed: 200°/s
Tilt Range	-16°~90° (Auto flip)
Tilt Speed	Tilt Manual Speed: 0.1°~120°/s, Tilt Preset Speed: 120°/s
3D Position	Yes
Presets	500
Preset Accuracy	±0.3°
Scan	8
Cruise	16, up to 32 presets per cruise
Pattern	8, each with 600s memory or 1000 orders
Power-off Memory	Yes
RS-485 Protocols	DOME_PELCO_D, DOME_PELCO_P, DOME_PLUS
Max. Resolution	1920×1080
Main Stream	PAL: 50fps (1920×1080, 1280×960, 1280×720) NTSC: 60fps (1920×1080, 1280×960, 1280×720)
Sub Stream	PAL: 25fps (704×576, 704×288, 352×288) NTSC: 30fps (704×480, 704×240, 352×240)
Sub Stream	PAL: 25fps (1920×1080, 1280×960, 1280×720, 640×480, 704×576, 352×288) NTSC: 30fps (1920×1080, 1280×960, 1280×720, 640×480, 704×480, 352×240)
Panaromic Camera	
Image Sensor	Four 1/1.8" CMOS
Signal System	PAL/NTSC
Min. Illumination	Color: 0.01Lux@ (F2.2, ACG ON)
Shutter Time	1s to 1/100,000s
Focal Length	5mm
Aperture	F2.2
Angle of View	Horizotal: 180°, Verticle: 74°
Max. Resolution	4096×1800
Main Stream	PAL: 25fps (4096×1800, 3840×1680, 2720×1192) NTSC: 30fps (4096×1800, 3840×1680, 2720×1192)
Sub Stream	PAL: 25fps (704×320) NTSC: 30fps (704×320)
Third Stream	PAL: 25fps (1280×560) NTSC: 30fps (1280×560)
Illuminator	
IR LEDs	N/A
IR Range	N/A
White LEDs	4
Laser	Yes
Laser Distance	800m
Compression Standard	
Video Compression	S+265/H.265/H.264/M-JPEG

Tiandy

Video Bit Rate	32 Kbps to 16 Mbps
Audio Compression	G.711A/G.711U/ADPCM/AAC
Audio Bit Rate	8K~48Kbps
Feature	
Alarm Trigger	Harsh Voice Alarm, Motion Detection, Mask Alarm, Port Alarm, Network Disable Alarm, IP Conflict, MAC Conflict Detection
Video Analytics	Tripwire, Double Tripwire, Perimeter, Object Abandon, Object Lost, Loitering, Running, Parking, Face Detection, People Counting, Crowded, On Duty Detection, Video Abnormal, Audio Abnormal, Heatmap, Safety Helmet Detection
Early Warning(EW)	Yes
Auto-Tracking	Yes
Image Setting	Saturation, brightness, contrast, sharpness, adjustable by client software or web browser
Image Enhancement	BLC/3D DNR/HLC
ROI	7 Dynamic Areas for Both Main and Sub Stream, support auto-tracking ROI
OSD	16×16, 24×24,32×32, 48×48, 64×64, 96×96, adaptable size, Letters Such as Week, Date, Time, Total 5 Regions
Picture Overlay	Yes
Privace Mask	Yes
Smart Defog	Yes
Network	
Protocols	TCP/IP, ICMP, HTTP, HTTPS, DHCP, DNS, DDNS, MULTICAST, UPnP, FTP, IPV4, NTP, RTSP, SMTP, IGMP, QoS, PPPoE
System Compatibility	ONVIF (PROFILE S), SDK, CGI, P2P
ANR	Auto store video in SD card when NVR disconnected, and upload video to NVR when resumed connection (Only Support Tiandy ANR NVR)
Remote Connection	≤7
Client	Easy7, EasyLive
Web Version	Web5
Interface	
Communication Interface	1 RJ45 10M/100M/1000M self adaptive Ethernet port
Audio	1/1
Alarm	8/2
Reset Button	Yes
On-board storage	Built-in MicroSD card slot, up to 128 GB
RS-485	Yes
BNC	Yes
Wiper	N/A
General	
Firmware Version	NVSS_V15.2.0.20180828
Web Client Language	11 languages English, Russian, Spanish, Korean, Italian, Turkish, Simple Chinese, Traditional Chinese, Thai, French, Polish
Operating Conditions	-40°~70°C, 0-95% RH
Power Supply	AC24V±15%
Power Consumption	85W (IR OFF), 110W (IR ON)
Protection	IP66
Heater	N/A
Dimensions	Φ358x568 mm (Φ14.09×22.36 inch)
Weight	16kg (35.27lb)

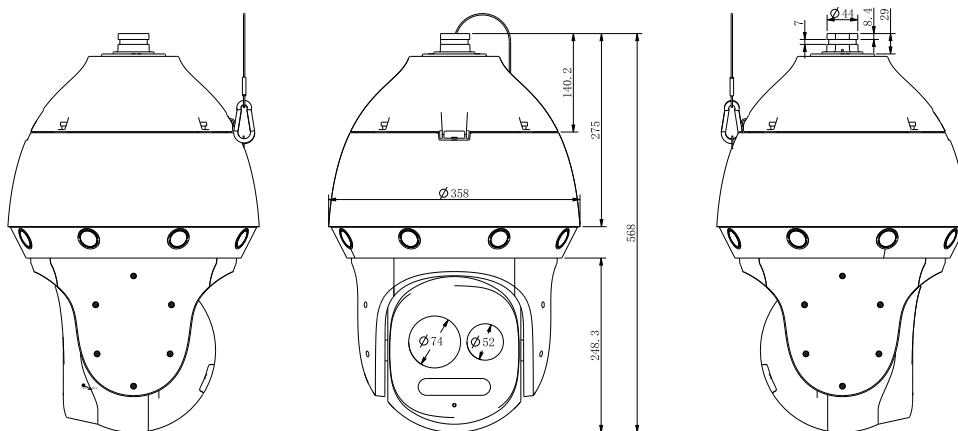
* Listed resolutions are only selectable options. It does not mean that all streams can work at their maximum resolution at the same time.

AVAILABLE MODEL

TC-H389M SPEC: 44X/LW/P/A

Tiandy

DIMENSIONS (Unit: mm)



ACCESSORIES

INCLUDED:



DF20Y
Wall Mount

OPTIONAL:



A37
Installation Adapter



A38
Ceiling Mount



DF21Y
Pendant Mount



A35
Corner Mount



A36
Pole Mount

DISTRIBUTED BY



Tiandy Technologies Co.,Ltd.

Email: sales@tiandy.com

Website: en.tiandy.com

Tel: +86-22-58596065

Fax: +86-22-58596048