

TC-NC27VX

H.265 2MP Super Starlight ABF Box Camera

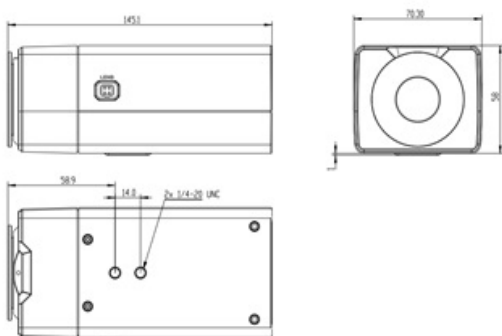
Tiandy



Features

- Super Starlight Ultra Low Light 0.0008lux
- Up To 1080P, 1920x1080@60fps
- H.265 compression
- Mechanical WDR 140dB
- Support ABF function(Auto Back Focus)
- NIR, WDR, 3D DNR, HLC, Dual-ICR, AWB, AGC, BLC
- VCA Tripwire/Double Tripwire/Perimeter/Object Abandon/Object Lost/Running/Loitering/Parking/Crowd/Face Detection/People Counting/Audio Abnormal Detection/Video Abnormal Detection/On duty Detection
- Interface 2ch 100/1000M RJ45(Support 2 IP Address),Built in mic , Audio I/O:1/1,Alarm I/O:2/1,2ch Micro SD card slot up to 512G, Micro USB,Reset Button,BNC,USB Storage up to 128G,Power Button,ABF Button
- TVS 6000V, Lightning/Surge Protection: (Power 2000V, RJ45 1000V)
- Operating Conditions -35℃ ~ 65℃, 0 ~ 95% RHG
- CE, FCC

Dimensions



Dimensions(Optional) Model: TC-712S3E



Camera	
Image Sensor	1/1.9" CMOS
Core Processor	ARM9 Architecture
Operating System	Embedded LINUX
Signal System	PAL/NTSC
Mini. Illumination	Color: 0.0008 Lux @(F1.2, AGC ON) B/W: 0.0001Lux @(F1.2, AGC ON)
Shutter Time	1s~1/100000s
Lens Interface Type	C/CS
Day& Night	IR Cut Filter With Auto Switch
Wide Dynamic Range	140 dB
Digital Noise Reduction	3D DNR
Compression Standard	
Video Compression	H.265/H.264H/H.264M/H.264B/MJPEG
Video Bit Rate	32Kbps~16Mbps
Audio Compression	G.711A/G.711U/ADPCM/AAC
Audio Bit Rate	G711 8KHz, 64kbps ADPCM 8KHz, 32kbps AAC 48KHz, 96-320kbps
Frame Rate	50Hz: 50fps (1920 × 1080), 50fps (1280 × 720) 60Hz: 60fps (1920 × 1080), 60fps (1280 × 720)
Triple Stream	Mainstream:1080P(1920*1080) Substream:D1(704*576) 3rd stream:1080p (1920*1080)
Image Settings	Brightness, Saturation, Contrast,Flip Mode
ABF	Y (Auto Adjust ±1mm Back Focus)
HLC	Y
Smart Defog	Y
Corridor Format	Y, Available for 720P and Above
EIS	Y
ROI	8 Zones
Privacy Mask	4 Zones
Picture Overlay	200 × 200, BMP 24bit, Zone Configurable
OSD	16×16, 32×32, 24×24, 48×48, 64×64, 96×96 Size Letters Such as Week, Date, Time, Total 5 Regions
S/N Ratio	>60dB
Compression Standard	
Browser	IE8/Firefox24 or above
Network Storage	FTP
NTP	Y
ANR	Y
Video Analytics	Tripwire/Double Tripwire/Perimeter/Object Abandon/Object Lost Running/Loitering/Parking/Crowd/Face Detection/People Counting Audio Abnormal Detection/Video Abnormal Detection/On duty Detection
User Permission	4 Level/8 users
Remote Connection	7 Users Access at the Same Time
System Compatibility	ONVIF (Profile S), SDK
Interface	
Audio Input	1-ch
Audio Output	1-ch
Ethernet	2-ch RJ45 100M / 1000M Ethernet Interface(Support 2 IP Address)
Alarm Input	2-ch
Alarm Output	1-ch
Video Output	1Vp-p Composite Output (75Ω/BNC)
On-board Storage	Dual MicroSD Card Slots, up to 512GB
RS485	Y
RS232	Y
Extension	USBx1
General	
Language	English,Simplified Chinese
Power Supply	DC 12V±10%/AC24V±10%/PoE
Power Consumption	Max. 6W
Circuit Protection	TVS 6000V, Lightning/Surge 2000V
Dimensions	170mm×76mm×64mm
Weight	0.88KG (IP Camera Only)

* The latest product information / specification can be found at <http://en.tiandy.com/>

